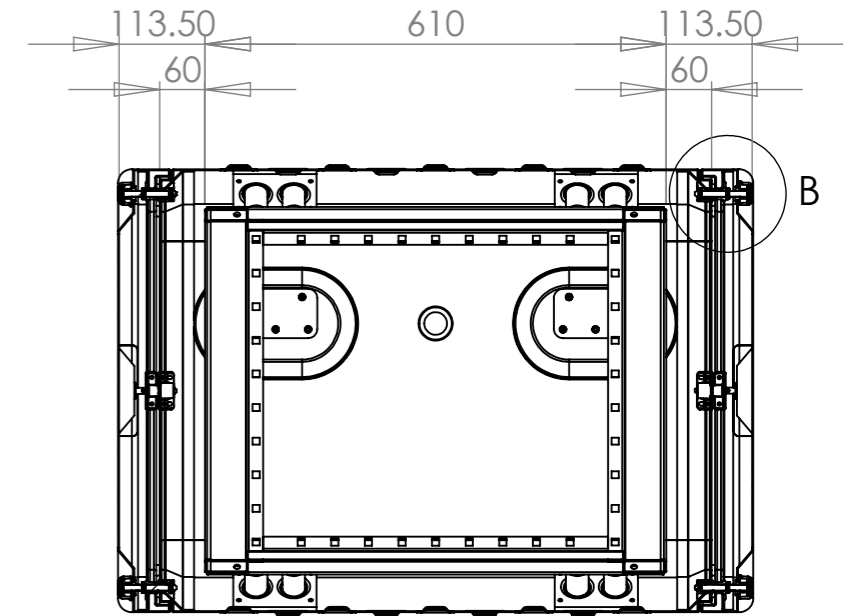
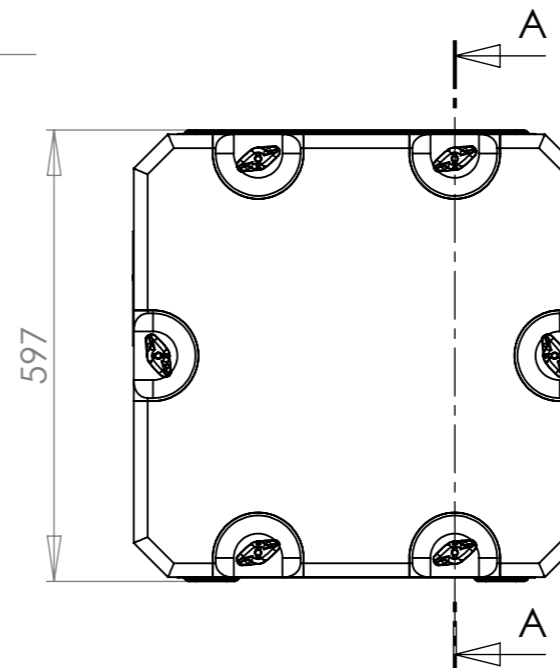
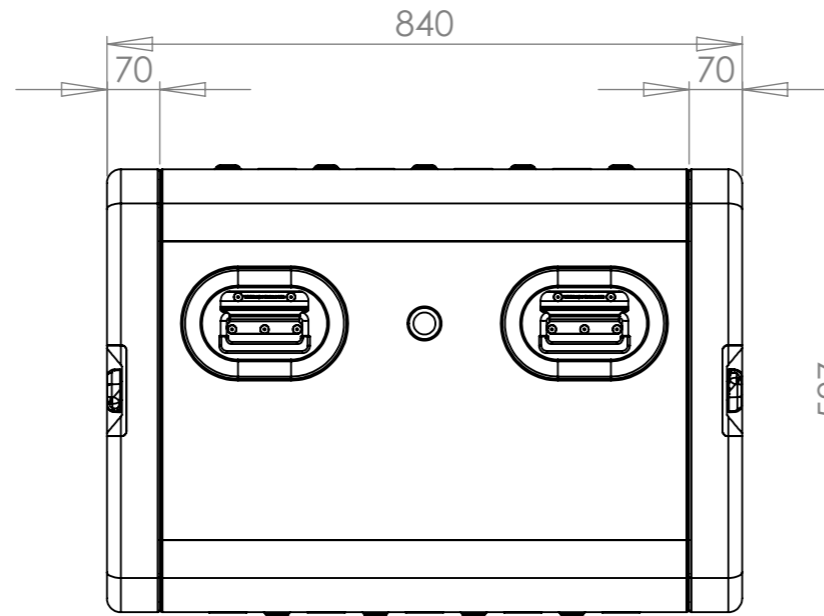
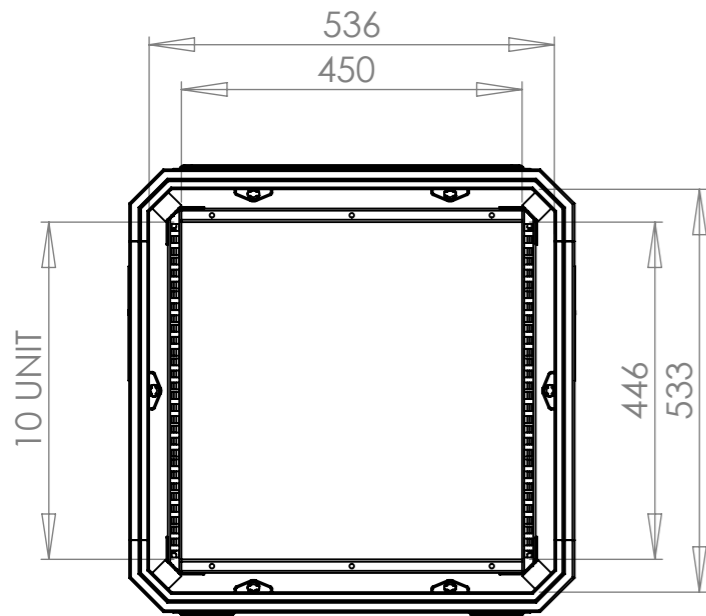


DETAIL B  
SCALE 1 : 2



SECTION A-A

<b>Nato Stock No (NSN)</b> 8145-99-666-8407		<b>General Tolerance +/- (1%+1mm)</b>			<b>Title</b> E-Rack RR1061-0707			<b>Drg. No.</b> RR1061-0707
<b>Options Available</b>	<b>Part #</b>	<b>Height</b> 597	<b>Width</b> 589	<b>Depth</b> 840	<b>Drawn By</b> MW	<b>Date</b> 17/09/2010	<b>Sheet No.</b> 1 Of 1	<b>Issue No.</b> 02
		<b>Rack Size (U)</b>		10	<b>Dimensions In Millimeters</b>		<b>Third Angle Projection</b>	
		<b>Frame Depth (Inches)</b>		610	<b>Do Not Scale</b>			

**CP Cases Ltd.**

Worton Hall Industrial Estate, Worton Road,  
Isleworth, Middlesex, TW7 6ER, UK.  
Tel: +44 (0) 20 8568 1881 Fax: +44 (0) 20 8568 1141  
Email: info@cpcases.com Website: www.cpcases.com

Copyright CP Cases Limited.  
This drawing is the property of CP Cases Limited & the information on it is confidential & it is not to be used for any other purpose without the prior written consent of CP Cases Limited.