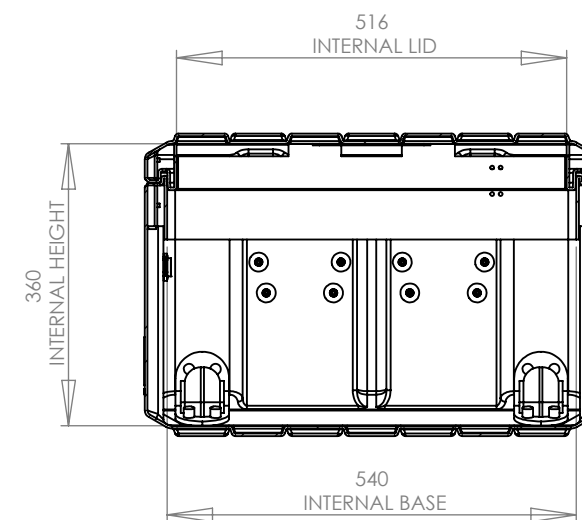
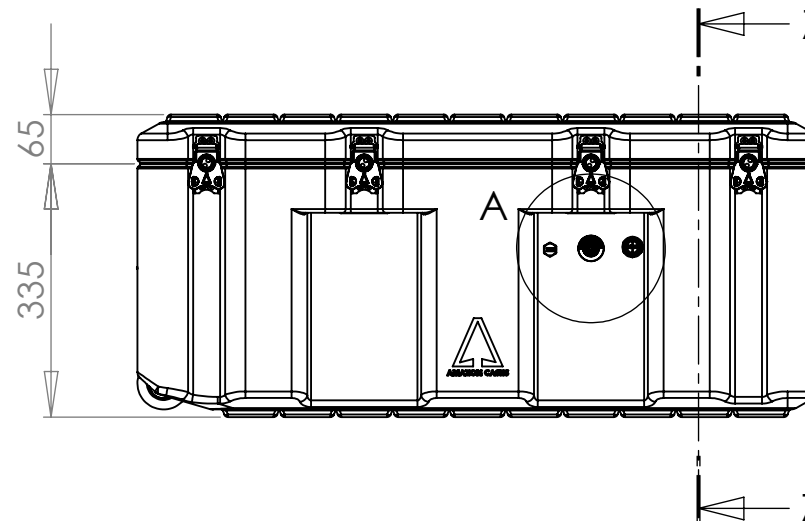
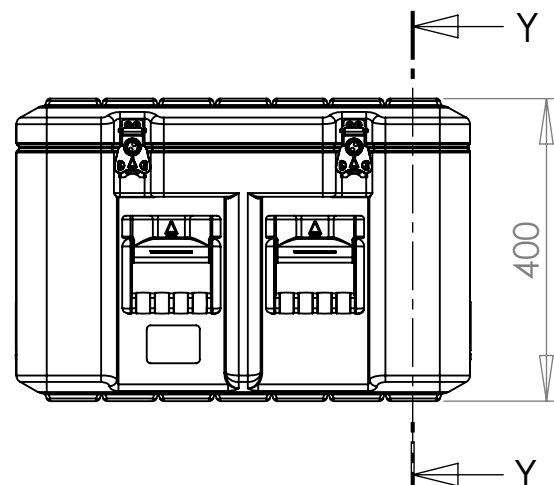
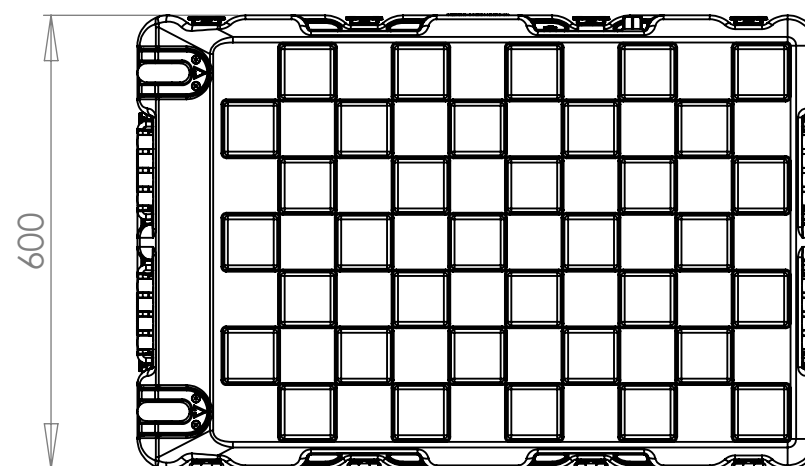
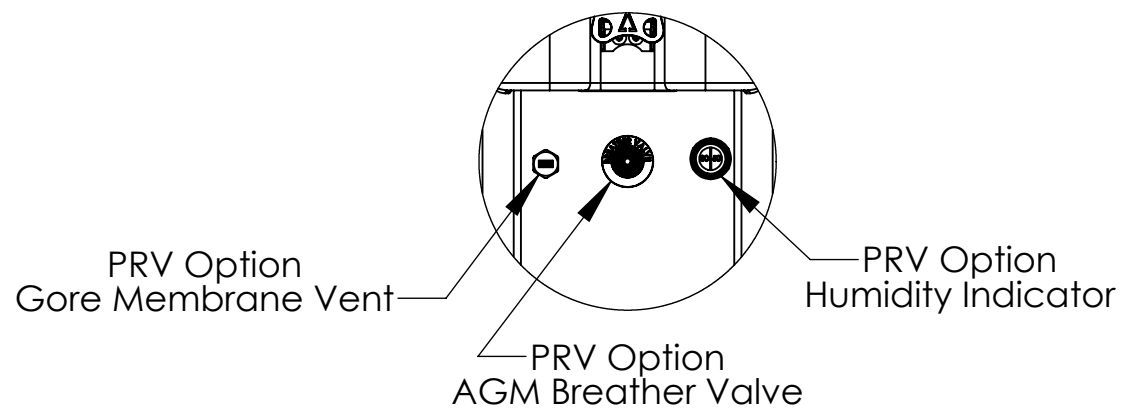


SECTION Y-Y



SECTION Z-Z

DETAIL A  
SCALE 1 : 5



| Options Available  | Option Selected | Qty | Part #  | Nato Stock No (NSN)                    |        |       |        |
|--------------------|-----------------|-----|---------|--|--------|-------|--------|
| Wheel Kit          | Y               | 01  | AAW001  | 8145-99-147-9484                       |        |       |        |
| AGM Breather Valve | Y               | 01  | AAPRV   | <b>Moulding Tolerance +/- (1%+1mm)</b> |        |       |        |
| Gore Membrane Vent | Y               | 01  | AAGTV   |  |        |       |        |
| Humidity Indicator | Y               | 01  | AAHI    | <b>External Dimensions (mm)</b>        |        |       |        |
| Tie Down Anchor    | N               | 00  | AATD001 |  | Length | Width | Height |
| Padlockable Latch  | N               | 00  | AALPLBK |  | 900    | 600   | 400    |
| Latch              | Y               | 08  | AALBK   | <b>Internal Dimensions (mm)</b>        | Length | Width | Height |
| Plastic Handles    | Y               | 04  | AAHPL   |  | 840    | 540   | 360    |

| Title                     |            | Drg. No.               |           |
|---------------------------|------------|------------------------|-----------|
| Amazon Case AC9060-3307   |            | AC9060-3307            |           |
| Drawn By                  | Date       | Sheet No.              | Issue No. |
| MW                        | 18/06/2010 | 1 Of 1                 | 1         |
| Dimensions In Millimeters |            | Third Angle Projection |           |
| Do Not Scale              |            |                        |           |

## CP Cases Ltd.

Worton Hall Industrial Estate, Worton Road,  
Isleworth, Middlesex, TW7 6ER, UK.  
Tel: +44 (0) 20 8568 1881 Fax: +44 (0) 20 8568 1141  
Email: amazon@cpcases.com Website: www.cpcases.com

Copyright CP Cases Limited.  
This drawing is the property of CP Cases Limited & the information on it is confidential & it is not to be used for any other purpose without the prior written consent of CP Cases Limited.