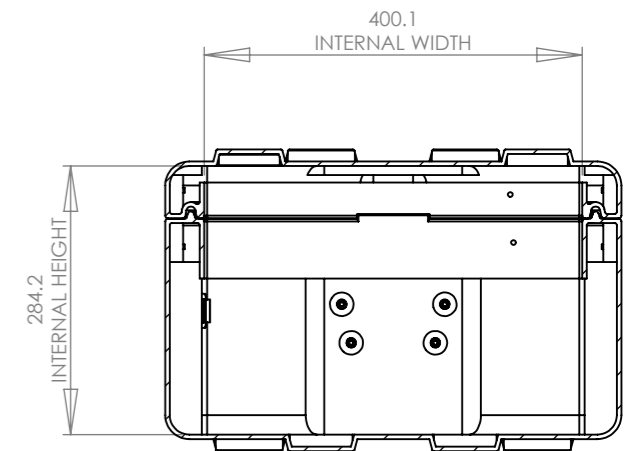
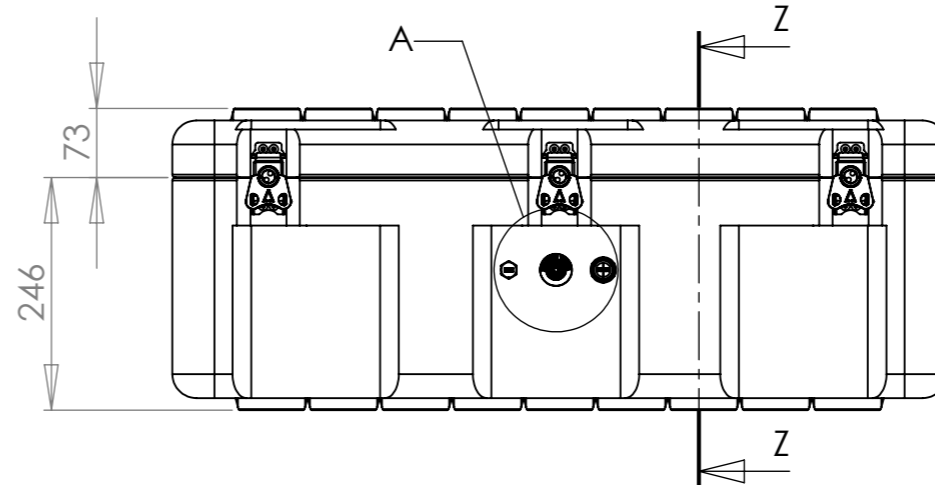
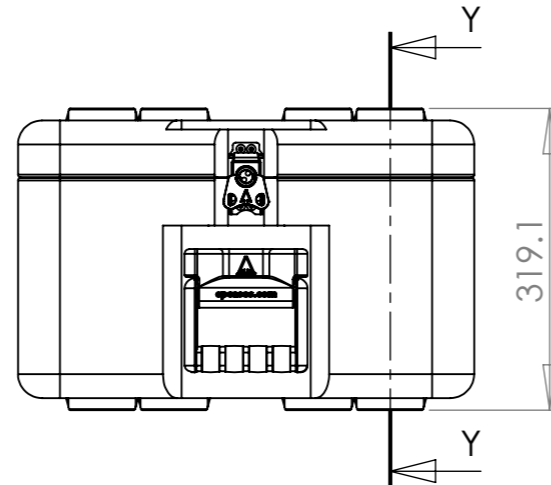
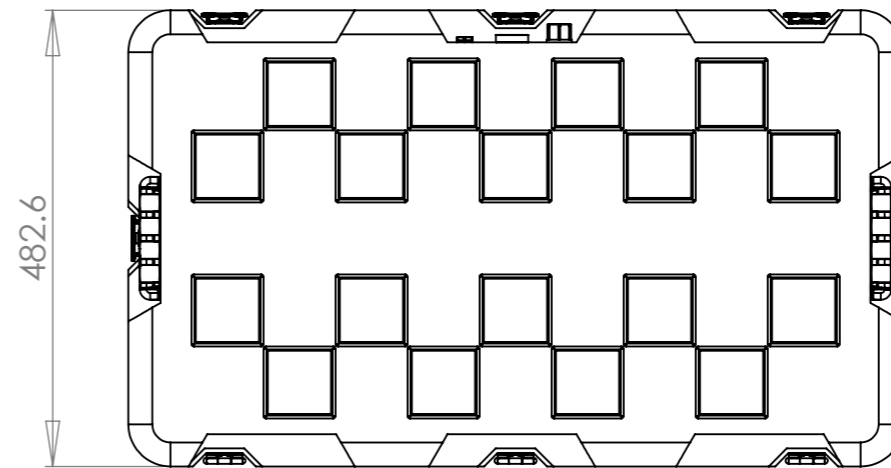
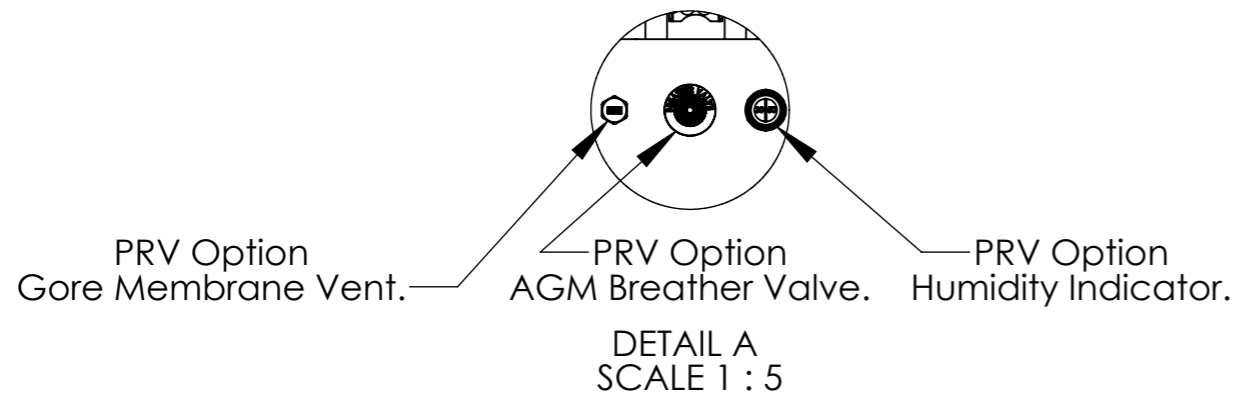


SECTION Y-Y



SECTION Z-Z



<b>Title</b> Amazon case AC8249-2507		<b>Material</b> Polyethylene		<b>Finish</b> Self Colour		<b>Date</b> 17/07/2013	<b>Drawn By</b> MW	<b>Revision</b> A	<b>Project</b> Amazon (NA Origin)		<b>CP Cases Ltd.</b> Worton Hall Industrial Estate, Worton Road, Isleworth, Middlesex, TW7 6ER, UK. <b>Tel:</b> +44 (0) 20 8568 1881 <b>Fax:</b> +44 (0) 20 8568 1141 <b>Email:</b> info@cpcases.com <b>Website:</b> www.cpcases.com
<b>Drg. No.</b> AC8249-2507		<b>External Dimensions</b>		<b>Internal Dimensions</b>		<b>W/O No.</b> 000000	<b>Qty.</b> 00	<b>Sheet No.</b> 1 Of 1	<b>Nato Stock No.</b> 8145-99-891-7731		
	<b>Height</b>	<b>Width</b>	<b>Length/Depth</b>	<b>Height</b>	<b>Width</b>	<b>Length/Depth</b>	<b>Dimensions In Millimeters.</b> Do Not Scale. Third Angle Projection.			<b>Tolerance Unless Stated Otherwise.</b> Moulding Tolerance +/- (1%+1mm). Sheet Metal Tolerance +/-0.5mm.	
	319.1	482.6	819.2	284.2	400.1	736.6				<small>Copyright CP Cases Ltd. This drawing is the property of CP Cases Ltd &amp; the information on it is confidential. It is not to be used for any other purpose without the prior written consent of CP Cases Ltd.</small>	