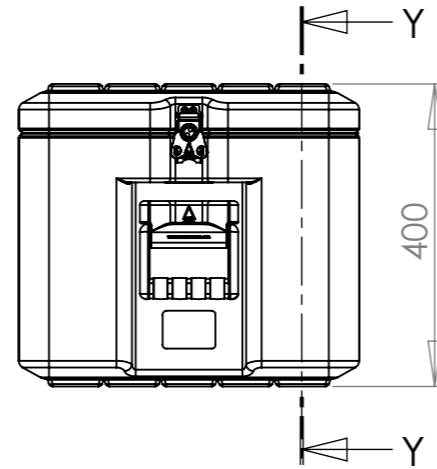
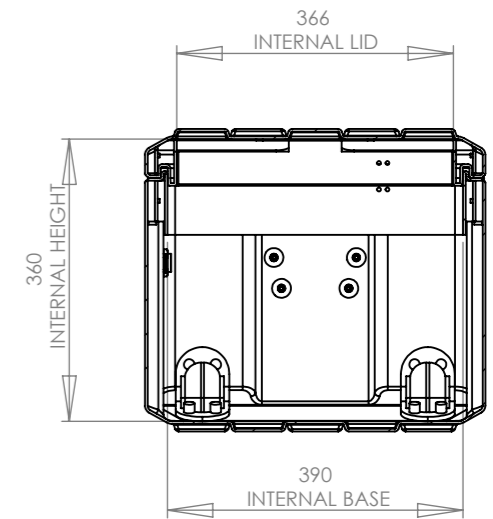
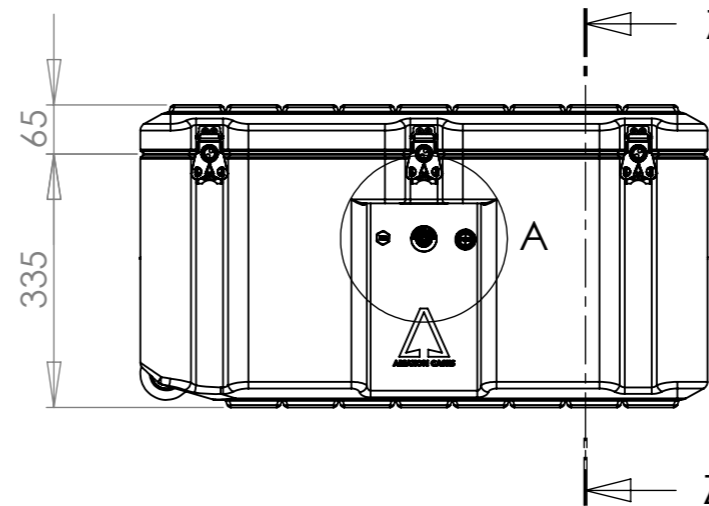


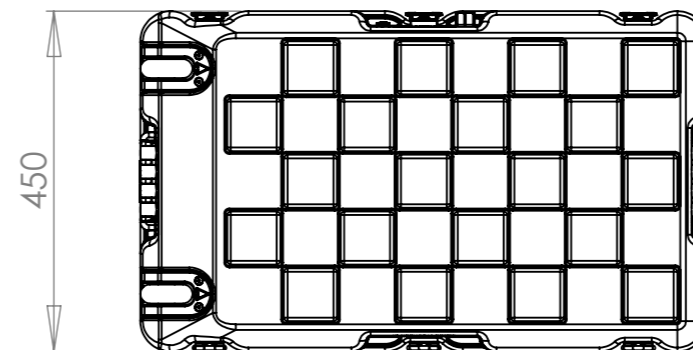
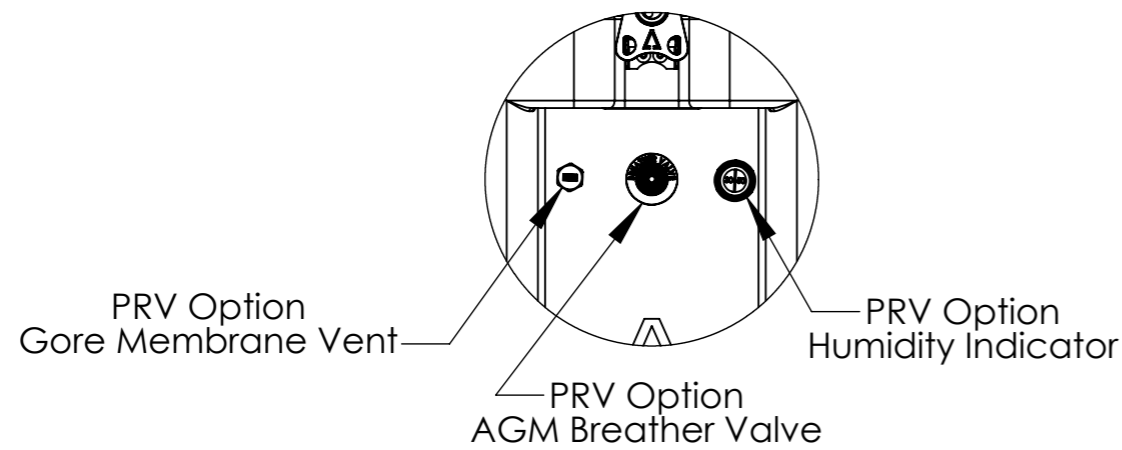
SECTION Y-Y



DETAIL A  
SCALE 1 : 5



SECTION Z-Z



Options Available	Option Selected	Qty	Part #	Nato Stock No (NSN)		
Wheel Kit	Y	01	AAW001	8145-99-761-2696		
AGM Breather Valve	Y	01	AAPRV	<b>Moulding Tolerance +/- (1%+1mm)</b>		
Gore Membrane Vent	Y	01	AAGTV			
Humidity Indicator	Y	01	AAHI	<b>External Dimensions (mm)</b>		
Tie Down Anchor	N	00	AATD001			
Padlockable Latch	N	00	AALPLBK	<b>Internal Dimensions (mm)</b>		
Latch	Y	05	AALBK			
Plastic Handles	Y	02	AAHPL	Length	Width	Height
				750	450	400
				<b>Internal Dimensions (mm)</b>		
				Length	Width	Height
				690	390	360

Title			Drg. No.	
Amazon Case AC7545-3307			AC7545-3307	
Drawn By	Date	Sheet No.	Issue No.	
MW	18/06/2010	1 Of 1	1	
Dimensions In Millimeters		Third Angle Projection		
Do Not Scale				

## CP Cases Ltd.

Worton Hall Industrial Estate, Worton Road,  
Isleworth, Middlesex, TW7 6ER, UK.  
Tel: +44 (0) 20 8568 1881 Fax: +44 (0) 20 8568 1141  
Email: amazon@cpcases.com Website: www.cpcases.com

Copyright CP Cases Limited.  
This drawing is the property of CP Cases Limited & the information on it is confidential & it is not to be used for any other purpose without the prior written consent of CP Cases Limited.