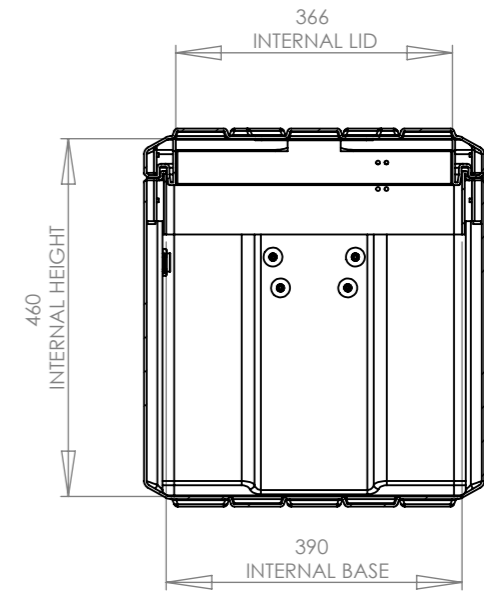
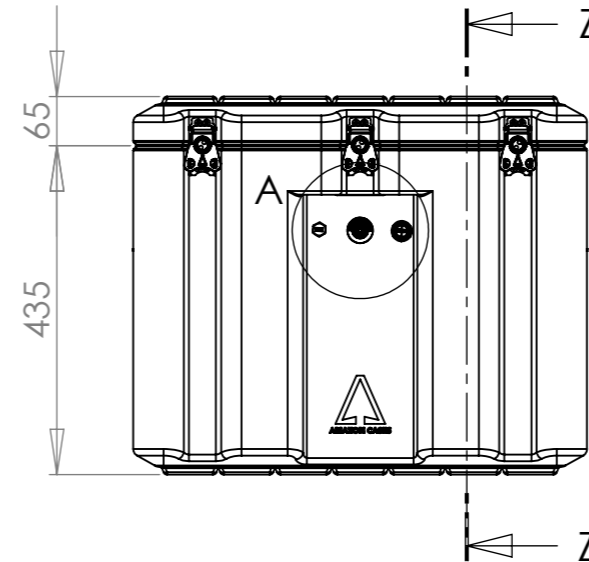
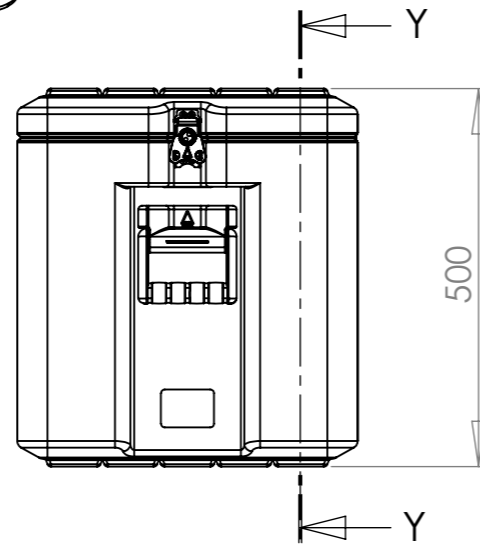
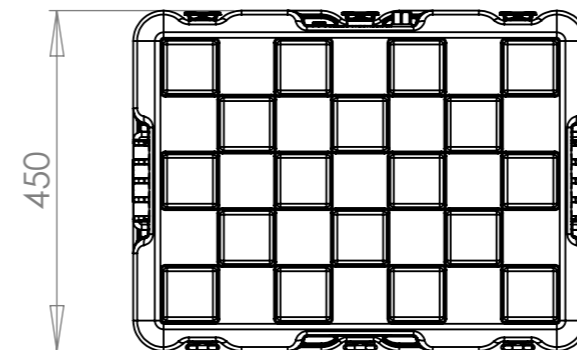
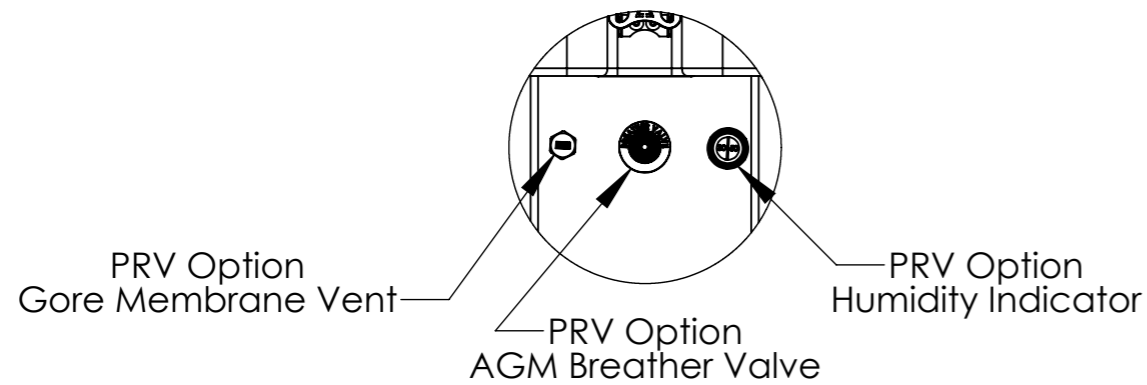


SECTION Y-Y



SECTION Z-Z

DETAIL A
SCALE 1 : 5



| Options Available | Option Selected | Qty | Part # | Nato Stock No (NSN) | |
|--------------------|-----------------|-----|---------|----------------------------------------|---------------------------|
| Wheel Kit | N | 00 | AAW001 | 8145-99-887-2317 | |
| AGM Breather Valve | Y | 01 | AAPRV | Moulding Tolerance +/- (1%+1mm) | |
| Gore Membrane Vent | Y | 01 | AAGTV | | |
| Humidity Indicator | Y | 01 | AAHI | External Dimensions (mm) | |
| Tie Down Anchor | N | 00 | AATD001 | | Length Width Height |
| Padlockable Latch | N | 00 | AALPLBK | | 600 450 500 |
| Latch | Y | 05 | AALBK | Internal Dimensions (mm) | |
| Plastic Handles | Y | 02 | AAHPL | | Length Width Height |
| | | | | 540 390 460 | |

| Title | | Drg. No. | |
|---------------------------|------------|------------------------|-----------|
| Amazon Case AC6045-4307 | | AC6045-4307 | |
| Drawn By | Date | Sheet No. | Issue No. |
| MW | 30/04/2010 | 1 Of 1 | 1 |
| Dimensions In Millimeters | | Third Angle Projection | |
| Do Not Scale | | | |

CP Cases Ltd.

Worton Hall Industrial Estate, Worton Road,
Isleworth, Middlesex, TW7 6ER, UK.
Tel: +44 (0) 20 8568 1881 Fax: +44 (0) 20 8568 1141
Email: amazon@cpcases.com Website: www.cpcases.com

Copyright CP Cases Limited.
This drawing is the property of CP Cases Limited & the information on it is confidential & it is not to be used for any other purpose without the prior written consent of CP Cases Limited.