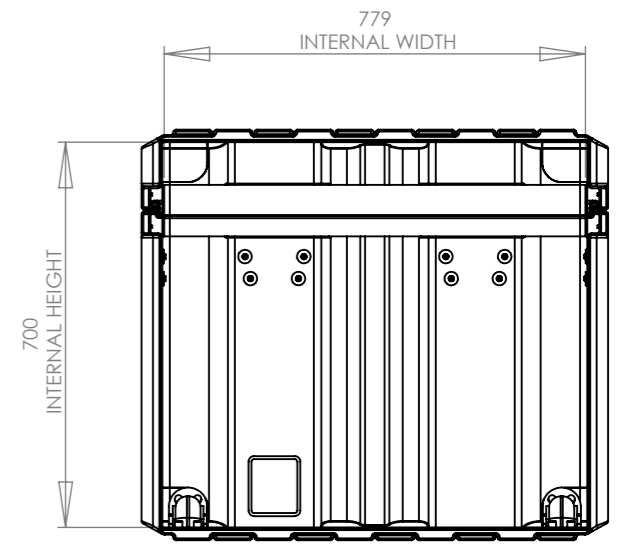
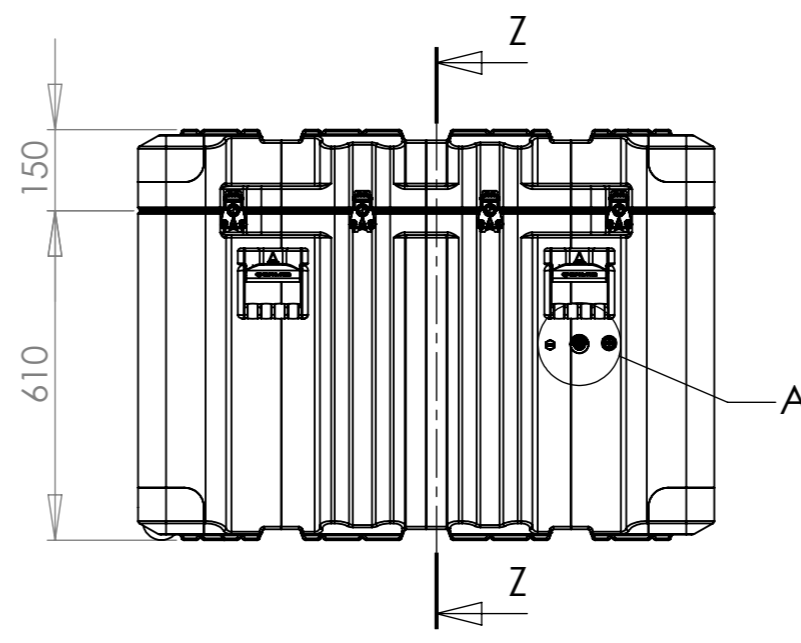
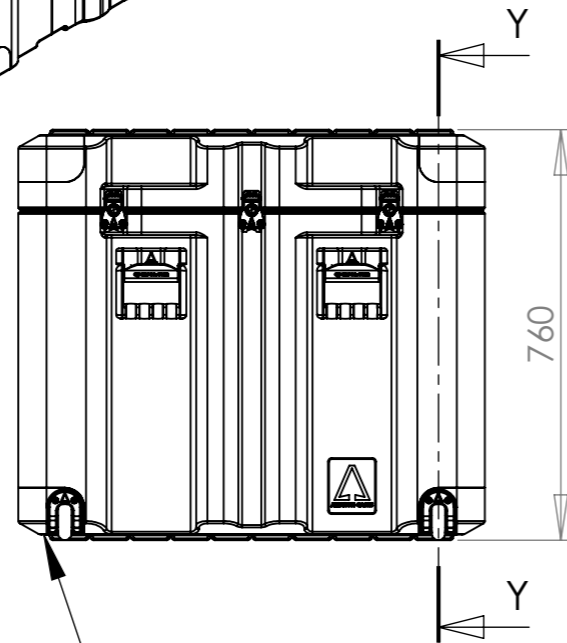
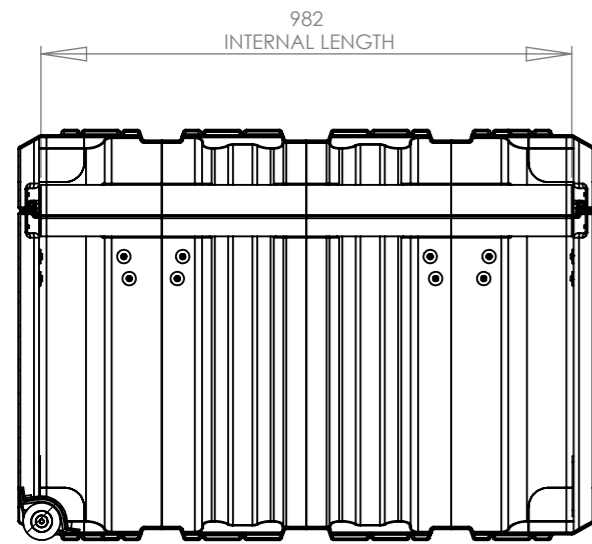
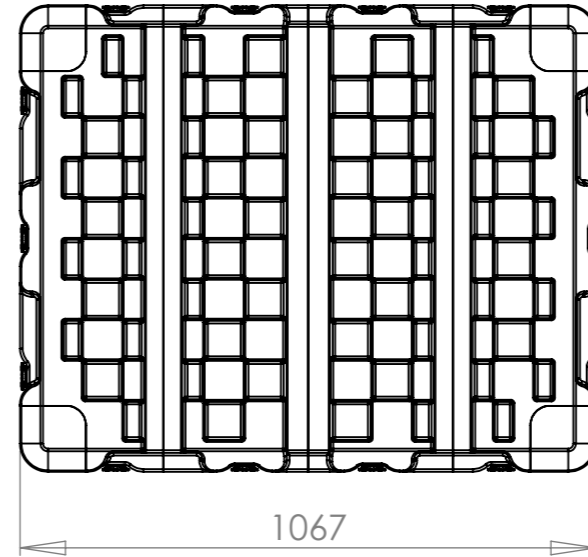
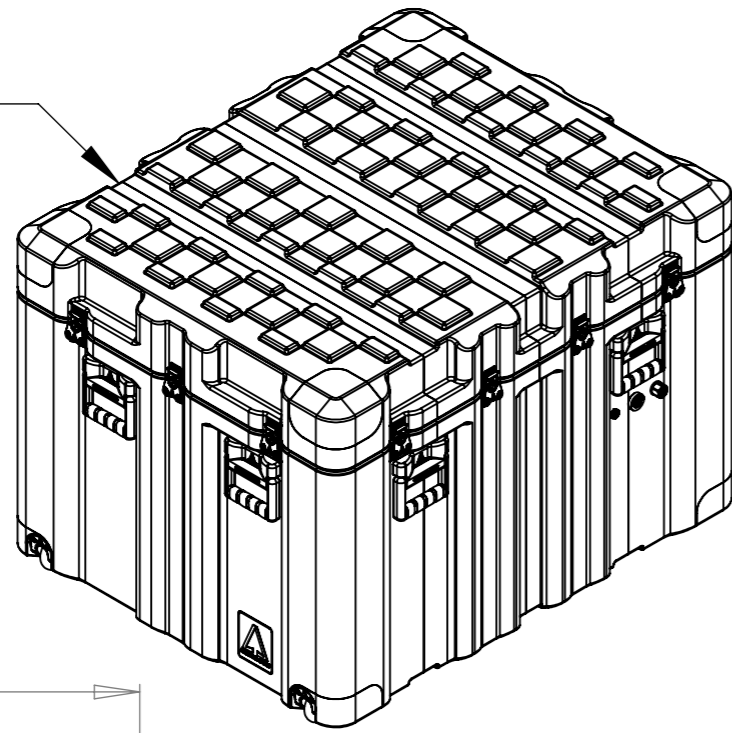


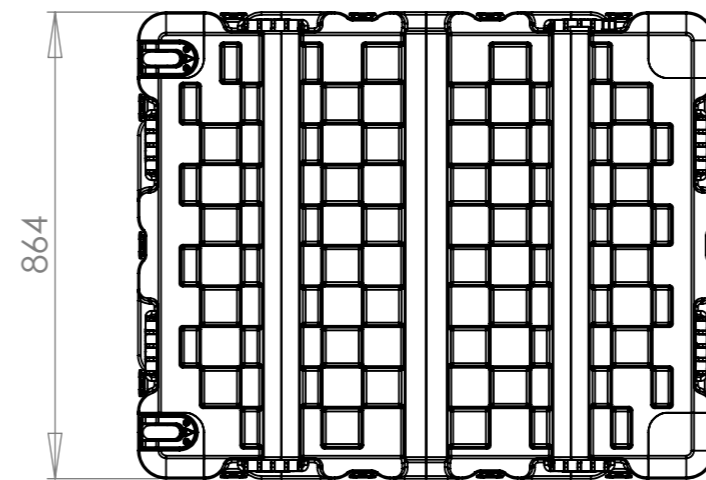
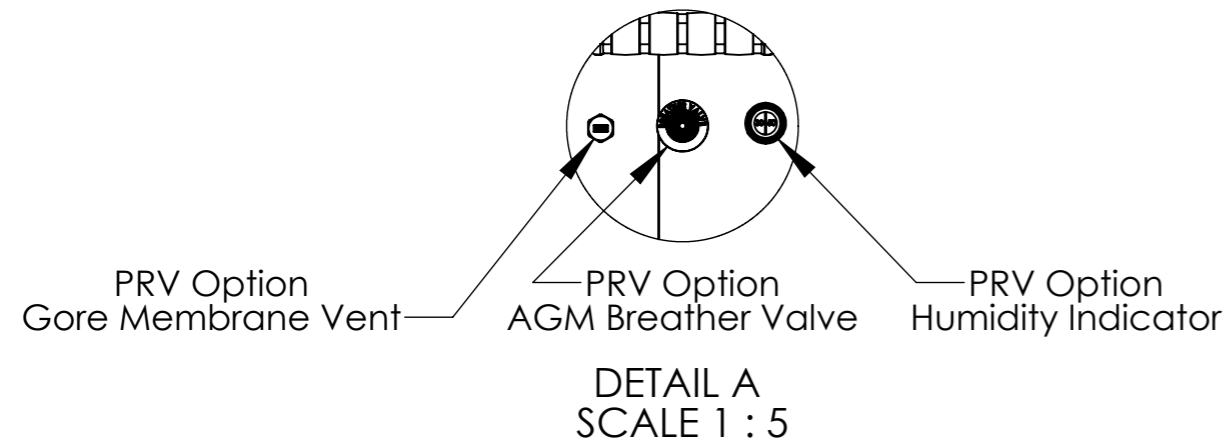
NOTE:  
ALL CATCH LIFT OFF LID.



SECTION Y-Y  
SCALE 1 : 14

SECTION Z-Z  
SCALE 1 : 14

WHEEL HOUSING RECESS  
MOULDED IN DEEP BASE.



<b>Title</b> Amazon Case AC1187-6115/AC	<b>Material</b> Polyethylene	<b>Finish</b> Self Colour	<b>Date</b> 17/03/2011	<b>Drawn By</b> MW	<b>Revision</b> A	<b>Project</b> Amazon
<b>Drg. No.</b> AC1187-6115_AC	<b>External Dimensions</b>		<b>W/O No.</b> 000000	<b>Qty.</b> 00	<b>Sheet No.</b> 1 Of 2	<b>Nato Stock No.</b> 8145-99-241-7308
	<b>Height</b> 760	<b>Width</b> 864	<b>Dimensions In Millimeters.</b> Do Not Scale. Third Angle Projection.		<b>Tolerance Unless Stated Otherwise.</b> Moulding Tolerance +/- (1%+1mm). Sheet Metal Tolerance +/-0.5mm.	
	<b>Length/Depth</b> 1067	<b>Internal Dimensions</b>				
		<b>Height</b> 700	<b>Width</b> 779	<b>Length/Depth</b> 982		

**CP Cases Ltd.**

Worton Hall Industrial Estate, Worton Road,  
Isleworth, Middlesex, TW7 6ER, UK.  
Tel: +44 (0) 20 8568 1881 Fax: +44 (0) 20 8568 1141  
Email: info@cpcases.com Website: www.cpcases.com  
Copyright CP Cases Ltd. This drawing is the property of CP Cases Ltd & the information on it is confidential. It is not to be used for any other purpose without the prior written consent of CP Cases Ltd.